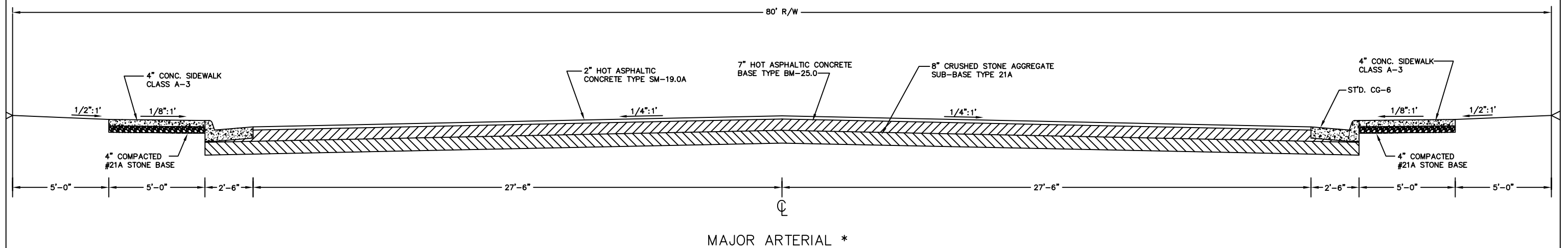
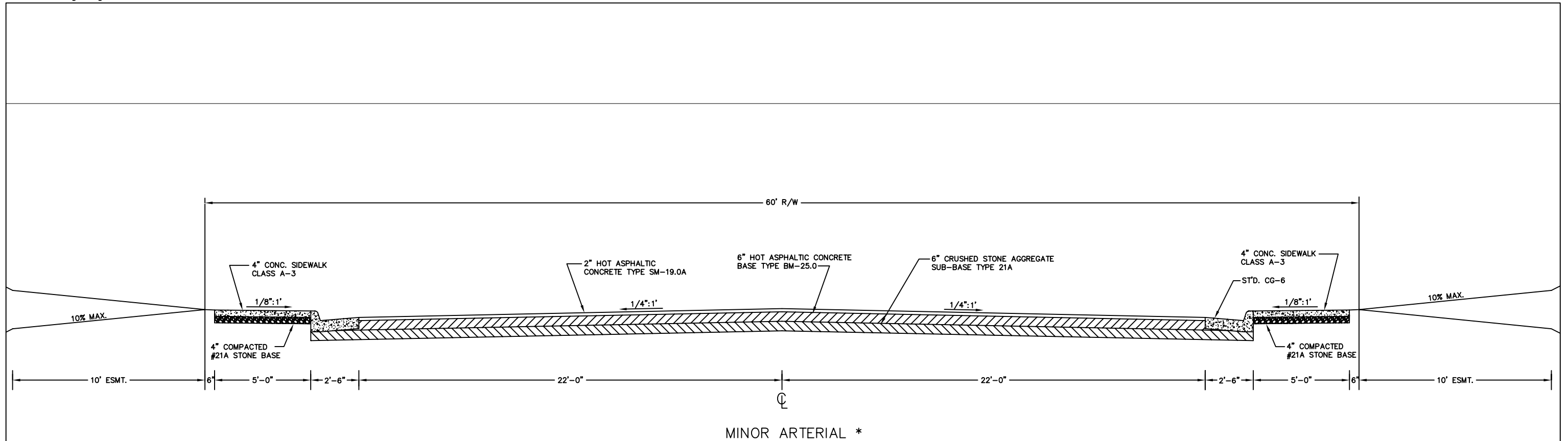


REVISIONS			
NO.	DATE	DESCRIPTION	INIT.
1	12/1/95	REV. DIM. & TITLES	DJR
2	9/04	DCSM UPDATE	DJR
3	12/06	DCSM UPDATE	DJR
4	6/09	DCSM UPDATE	DJR

*NOTE: FINAL PAVEMENT WIDTHS, BIKE LANE PROVISIONS, SIDEWALK LOCATION, FRONTAGE EASEMENTS, AND R/W WIDTHS FOR ALL COLLECTOR AND ARTERIAL STREETS SHALL BE AS DETERMINED DURING PRELIMINARY PLAT REVIEW, OR FOR STREET WIDENING PROJECTS, DURING SITE PLAN REVIEW.



*NOTE: FINAL PAVEMENT WIDTHS, BIKE LANE PROVISIONS, SIDEWALK LOCATION, FRONTAGE EASEMENTS, AND R/W WIDTHS FOR ALL COLLECTOR AND ARTERIAL STREETS SHALL BE AS DETERMINED DURING PRELIMINARY PLAT REVIEW, OR FOR STREET WIDENING PROJECTS, DURING SITE PLAN REVIEW.

REVISIONS			
NO.	DATE	DESCRIPTION	INIT.
1	12/1/95	REV. DIM. & TITLES	DJR
2	9/04	DCSM UPDATE	DJR
3	12/06	DCSM UPDATE	DJR
4	6/09	DCSM UPDATE	DJR